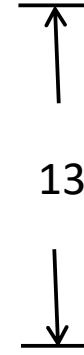
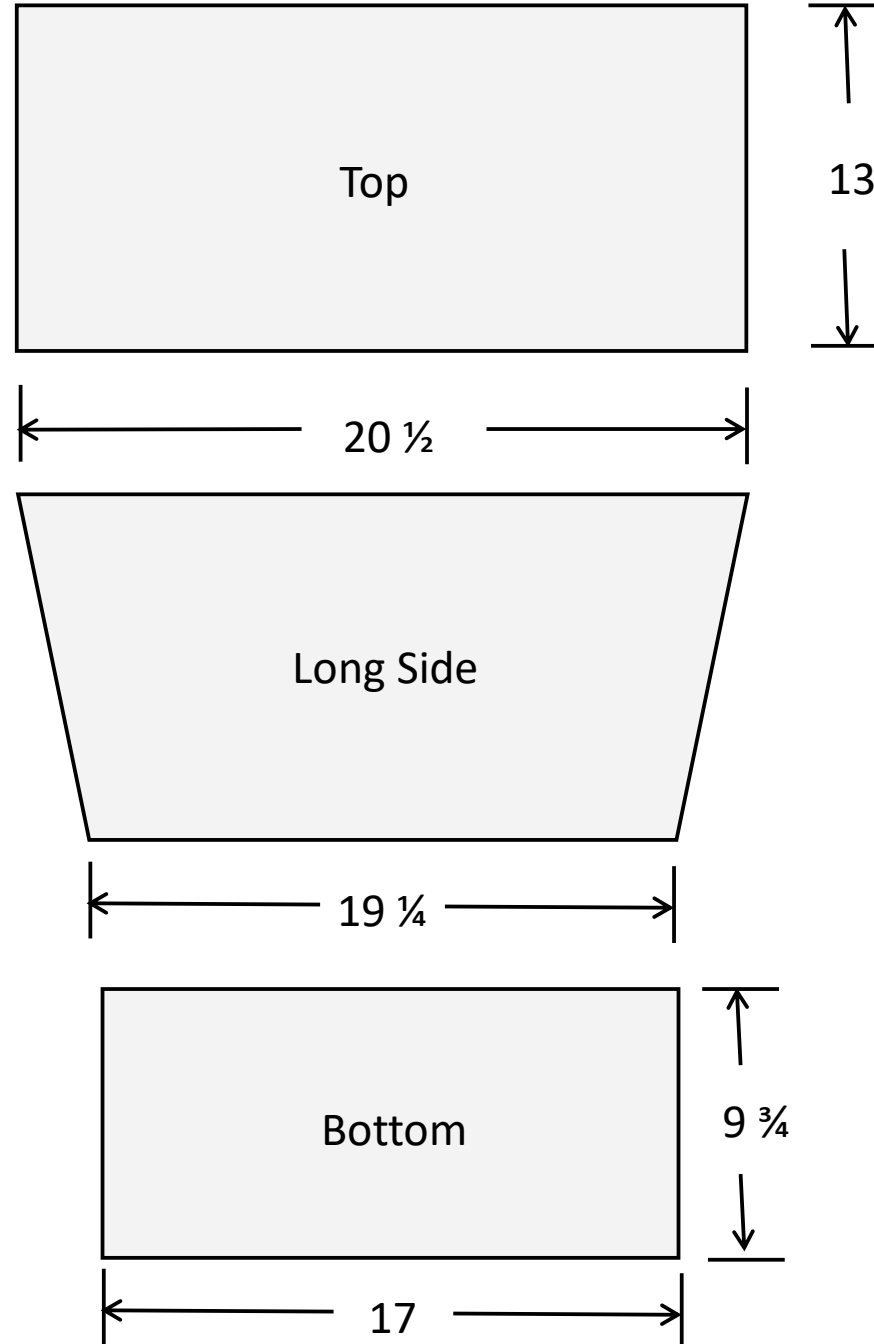
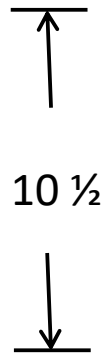
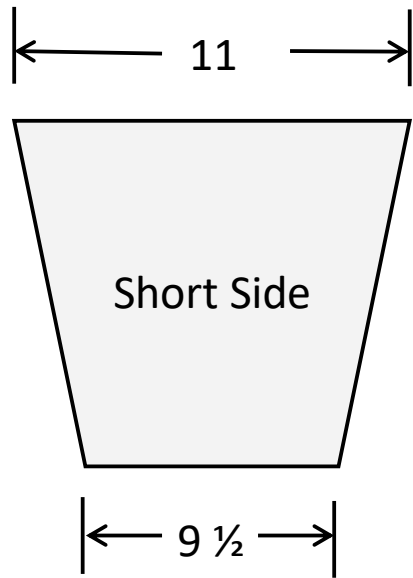


Menard's 18 gal black storage tote cat shelters, insulated with 1" thick Owens Corning (or equivalent) sheet foam insulation.



Dimensions in inches
Not drawn to scale

Assembly of Winter Cat Shelters

1. Place long sides in first
2. Wedge short sides in next. They should fit very snugly. Make sure all sides are at the same height, so the top is level.
3. Tape the top of the short side to the top of the bin with duct tape
4. Place the bottom piece in next
5. Cut a hole in one of the long sides, 6" off the ground and 5-6" in diameter. Use a hole saw or a jig saw. Go through the plastic bin and the insulation at the same time.
6. Duct tape around the bottom of the hole to secure the insulation in place and prevent moisture from getting in. Press tape firmly against plastic so there is no air underneath tape.
7. Place a nest of straw in the bin
8. Place top piece of insulation
9. Put plastic lid on bin, click in place
10. Duct tape lid down on all 4 sides